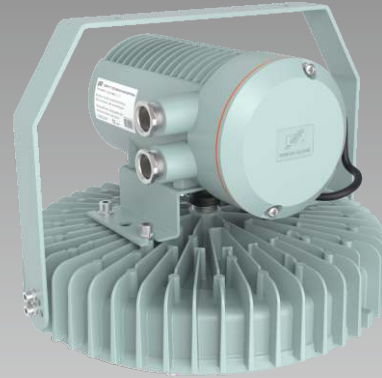
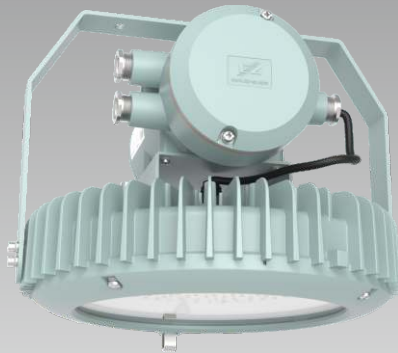


# CZ6470/311


**D**

## 描述 Descriptions

防爆 LED灯和电源箱外壳由铝合金压铸成型，表面喷涂纯环氧树脂粉末，抗腐蚀性能好。透明罩采用钢化玻璃，外露紧固件采用不锈钢材料。防爆 LED灯和电源箱采用电缆连接。内装LED 颗粒，经专业的光学配光设计，灯具散热结构经专业的热学分析设计及特制铝基板导热结构，确保灯具工作时所产生的热量能很好的散热。能满足石化、化学和海上工业照明的相关要求。

- 具有良好的电磁兼容性，不会对系统电网造成干扰
- LED属于固态光源，抗震性能佳
- 安装维护方便
- 防护等级高达IP66
- IECEx 国际认证，ATEX 欧洲认证
- 可定制高光效光源，光效 $\geq 135\text{lm/W}$ （符合中国一级能效标准）

The enclosures of LED explosion-proof light fittings are manufactured of die-cast aluminum alloy, with epoxy resin powder coated surfaces. Therefore, they have good anti-corrosion performance. The transparent cover is made by the toughened glass, and the exposed fasteners are made of stainless steel. Explosion proof LED light fittings and power box is connected by cable. Explosion-proof lights have LED chips inside which are formed to module by professionally optical luminous distribution design. Heat dissipation structure which is designed after professional thermal analysis and the special thermal conductivity structure of aluminum pcb can ensure the heat generated from working dissipated well. It can satisfy the related requirements of illumination in petrochemical, chemical and marine industries.

- Good electromagnetic compatibility and it does not cause interference to the system power grid.
- Good performance of vibration due to the solid-state LED light source.
- It is convenient to be mounted and maintained.
- The degree of protection is up to IP66.
- IECEx and ATEX certified.
- Customized high light efficiency light source with light efficiency  $\geq 135\text{lm/w}$  (Meet China's first-class energy efficiency standards).

## 2 区

## 21 区和 22 区

## Zone 2

## Zone 21 and zone 22

**主要数据 Main technical data**

认证 Certification	防爆标志 Ex mark	符合标准 Meet the standard
China	Ex ec II C T5/T4 Gb Ex tb IIIC T95°C/T130°C Dc	GB/T3836
IECEX	Ex ec II C T5/T4 Gb Ex tb IIIC T95°C/T130°C Dc	IEC60079
ATEX	Ⓜ II 2GD Ex ec II C T5/T4 Gb Ex tb IIIC T95°C/T130°C Dc	EN60079

 适用范围: 用于 2 区  
 用于 21 区和 22 区

 Intended use: Can be used in zone 2  
 Can be used in zone 21 and zone 22

防护等级: IP66

Degree of protection: IP66

额定电压: 110V~250V AC 50/60Hz

Rated voltage: 110V~250V AC 50/60Hz

 使用环境温度: -40°C≤Ta≤+40°C/+55°C  
 -60°C≤Ta≤+40°C/+55°C

 Ambient temperature: -40°C≤Ta≤+40°C/+55°C  
 -60°C≤Ta≤+40°C/+55°C

(-60°C灯具电气设备需要定制)

(-60°C lamp electrical equipment need to be customized)

光源: LED

Light source: LED

色温: 5000K (标配)、(可选3000K、4000K、6500K)

Colour temperature: 5000K (Standard), (Optional 3000K, 4000K, 6500K)

功率因数: ≥0.95

Power factor: ≥0.95


 接线端子: L1、N 笼式端子 2-2.5mm<sup>2</sup>, PE 端子 2×10mm<sup>2</sup>

 Terminal: L1, N cage type terminal 2-2.5mm<sup>2</sup>, PE terminal: 2×10mm<sup>2</sup>

电缆入口: 2-M25×1.5, 电缆外径: Φ8-11.5mm

Cable entry: 2-M25×1.5, outside diameter: Φ8-11.5mm

**D**
**订购规格 Order specifications**

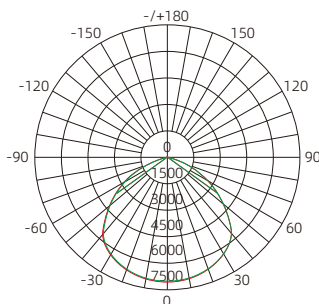
图样 Illustration	功率 Power	光通量 Luminous flux	温度组别T*				重量(kg) Weight	订购号 Order No.
			Temperature class*					
			Ta≤40°C		Ta≤55°C			
气体 Gas	粉尘 Dust	气体 Gas	粉尘 Dust					
	160W	18412 lm	T6	T80°C	T5	T95°C	13.2	<b>CZ6470/311-LED160WWB5-17-□</b>
	200W	23162 lm	T5	T90°C	T4	T105°C	13.2	<b>CZ6470/311-LED200WWB5-17-□</b>
	240W	27859 lm	T5	T90°C	T4	T105°C	13.2	<b>CZ6470/311-LED240WWB5-17-□</b>

3-3000K 4-4000K } ← 色温 Colour temperature  
 5-5000K 6-6500K

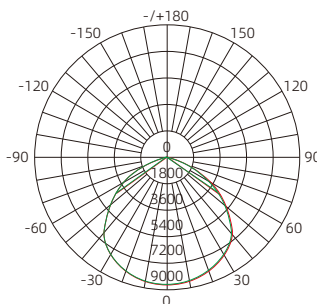
4- -40°C≤Ta≤+40°C/+55°C } ← 使用环境温度 Ambient temperature  
 6- -60°C≤Ta≤+40°C/+55°C

**配光曲线 Luminous intensity distribution curve** — C0/180 — C90/270

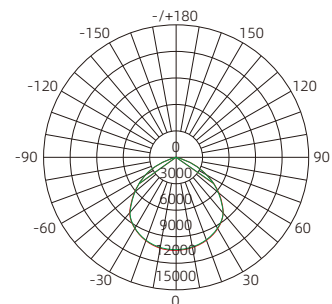
光强单位 luminous intensity unit: cd



CZ6470/311-LED160WWB-17



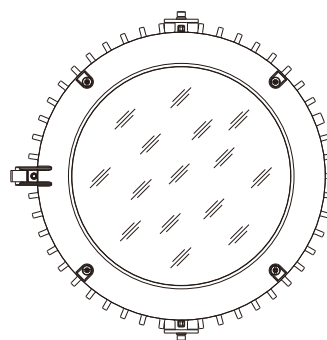
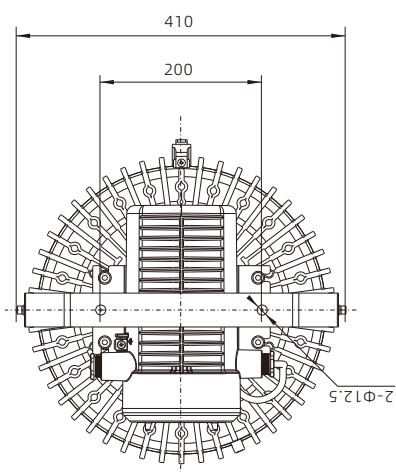
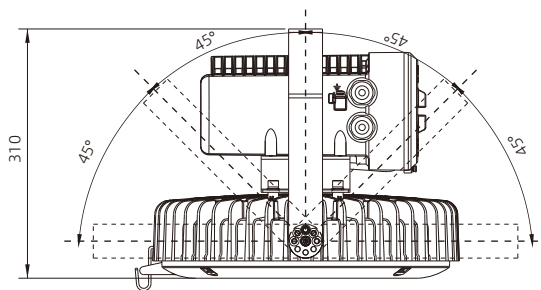
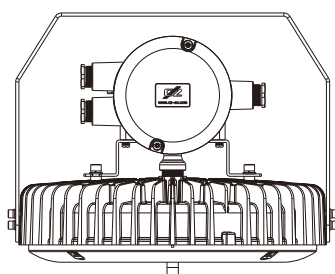
CZ6470/311-LED200WWB-17



CZ6470/311-LED240WWB-17

**外形及安装尺寸 Outline and installation dimensions**

单位 Unit: mm



D

